

# ROQ

YOUR PARTNER IN PRINT

DTG

## ROQ GO



NEW



ROQ GO

# HIGHLIGHTS

UP TO 60 PIECES PER HOUR IN WHITE FABRIC AND 35 IN DARK FABRIC

500 X 700 mm  
20" x 28"  
MAX. PRINT SIZE

MACHINE SUPPLIED WITH A BUILT IN COMPUTER AND PROFESSIONAL RIP (ROQSTUDIO POWERED BY NEOSTAMPA)

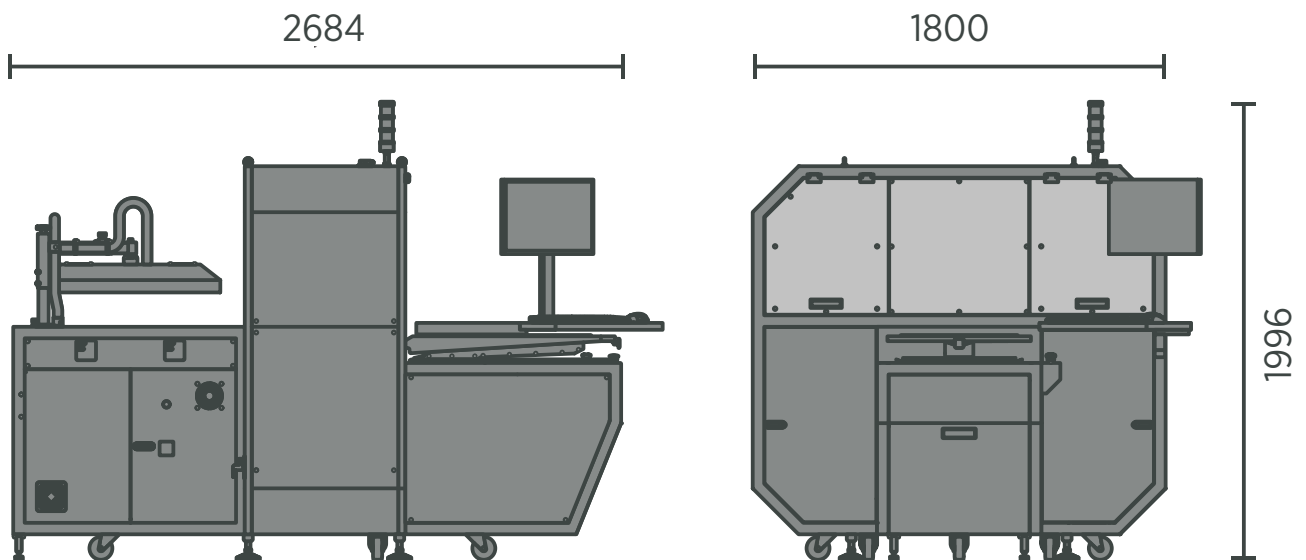
COMPACT DIMENSIONS

CONSISTENT QUALITY IN BULK PRODUCTION

ROBUST AND INDUSTRIAL EQUIPMENT

EXCELLENT WASHING FASTNESS

OPTIONAL BAR CODE SCANNER AVAILABLE



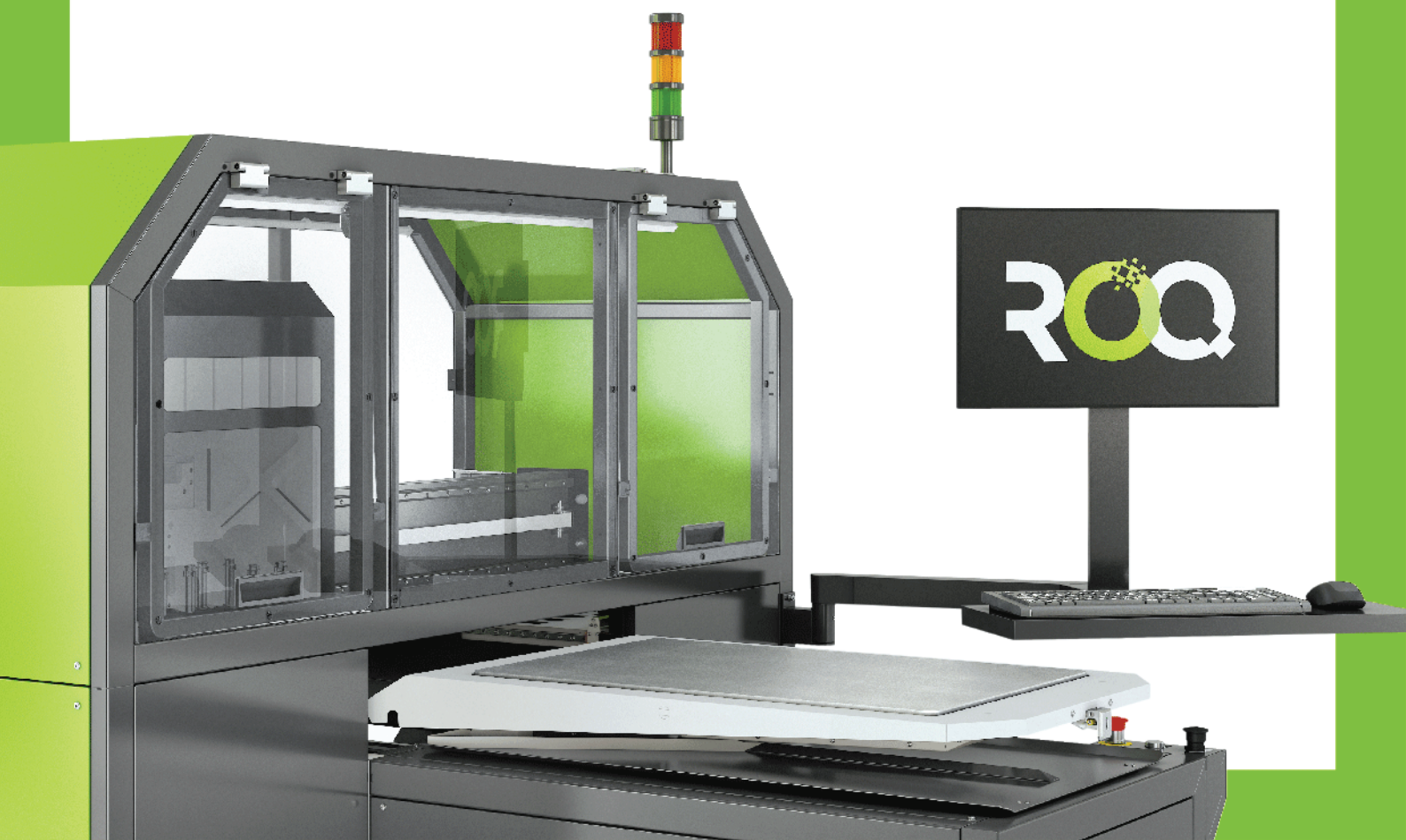
# DTG

## ROQ GO

The ROQ GO is a full digital solution with a single pallet that incorporates the latest technological advances in direct to garment (DTG). This machine can allow for consistent print quality on small and large production runs.

With a printing size of 500X700mm (20"X28"), the ROQ GO is equipped with a user-friendly software and is able to produce up to 60 pieces (white fabric) or 35 pieces (dark fabric) of the highest quality prints.

ROQ GO also allows an efficient workflow with the ROQ READY automatic pre-treatment machine.



NEW

# DTG

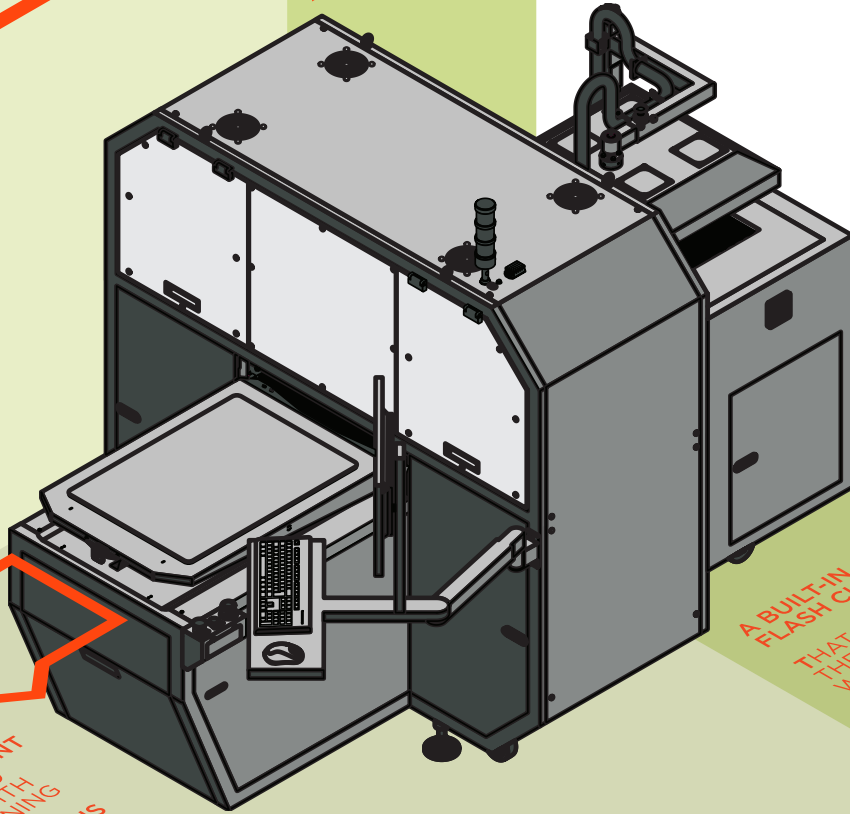
PRINTER  
STATION

MAIN PRINTING  
RESOLUTION  
508 x 800 dpi  
and 508 x 1200 dpi

INK SHAKER  
IN THE BULK TANKS

5 FUJIFILM®  
STARFIRE PRINTHEADS  
W+CMYK

FLASH CURE  
STATION



AXES MOVEMENT  
USING SERVO  
MOTORS WITH  
A POSITIONING  
ACCURACY  
OF 25 MICRONS

REAL-TIME INK  
WEIGHING SYSTEM

A BUILT-IN  
FLASH CURE  
STATION THAT ALLOWS  
THE CURING OF THE  
WHITE LAYER  
WHILE PRINTING,  
WITHOUT PRINTING  
BT. INCREASING  
PRODUCTIVITY AND  
EFFICIENCY.

# ROQ GO

## TECHNICAL SPECS

---

---

VOLTAGE.....	3X400VAC+N+PE 3PH+N+PE 9080W 50/60HZ
COMPRESSED AIR.....	0.7 MPA  100 PSI 10L/MIN./0.35 CFM
OPERATING CONDITIONS	
TEMPERATURE.....	20°C - 25°C 68°F - 77°F
HUMIDITY.....	50-70% NON-CONDENSING
WEIGHT.....	620Kg

---

---



YOUR PARTNER IN PRINT



ROQINTERNATIONAL.COM

sales@roqinternational.com  
00 351 252 980 500



DOWNLOAD BROCHURE  
**DTG PRINTING  
MACHINES**  
PDF

